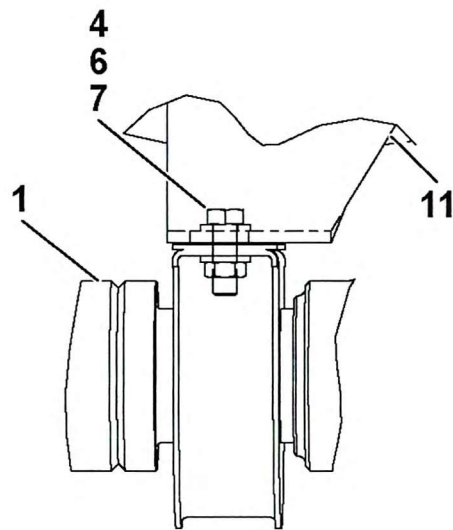
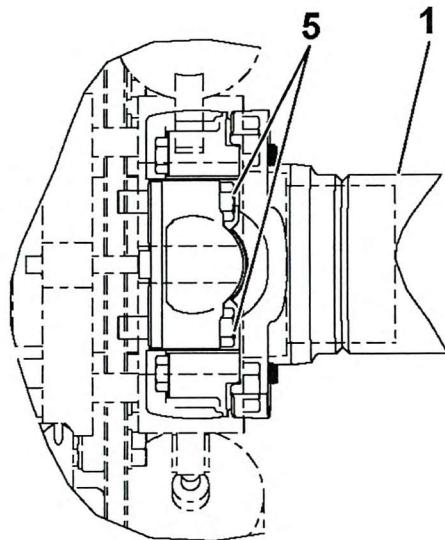


VIEW A-A



DETAIL B



DETAIL C